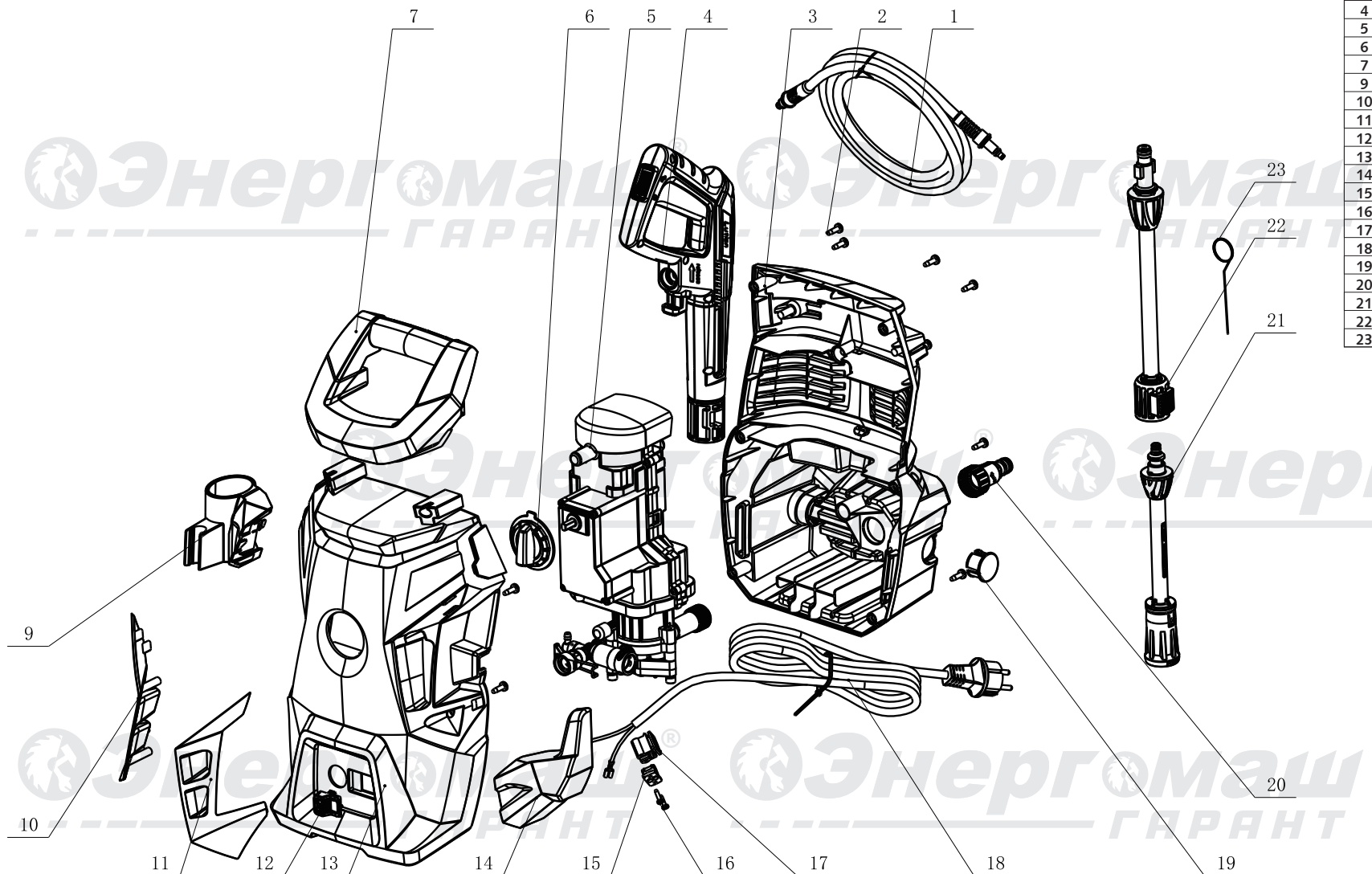


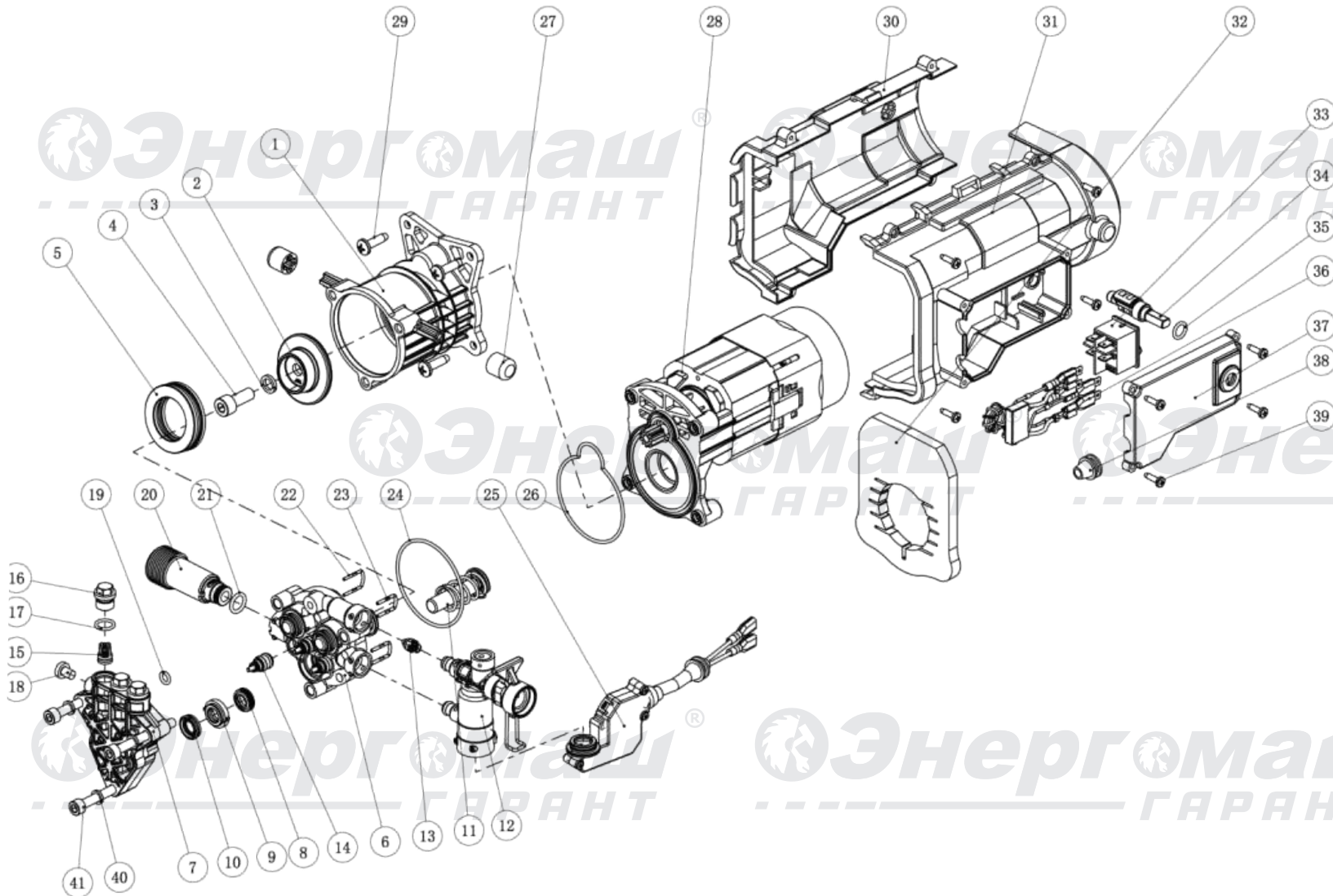
## MVD1-1700

NO.	DESCRIPTION
1	High pressure hose
2	Screw ST4.8x16
3	Back housing
4	Gun
5	MP101 moto+pump assy
6	Switch knob
7	Handle
9	Gun holder
10	Decorative plate<left>
11	Decorative plate<right>
12	Botton
13	Front housing
14	Power cable hook
15	Power cable pressplate
16	Screw ST3.5x13F
17	Power cable jacket
18	Power cable&plug
19	Cover
20	Water inlet connector
21	Adjustable nozzle
22	Extension wand
23	Cleaning pin

MVD1-1700-EX-RUS20211206



## PUMP FOR MVD1-1700



NO.	DESCRIPTION
1	Oil cylinder assy
2	Swash plate
3	Gasket 8
4	Bolt M8X20
5	Bearing 51106
6	Pump body
7	Pump cover
8	Plunger oil seal 10x16x4
9	Oil seal bracket
10	Oil seal 10x16x4
11	Plunger assy
12	Outlet hose assy
13	Back pressure valve assy
14	Inlet checking valve assy
15	Outlet checking valve assy
16	Checking valve cap
17	O ring 9.5x1.8
18	Bolt M6x8
19	O ring 5.5x2
20	Inlet hose
21	O ring 10x2.2
22	U pin 12 4X19X1 8
23	U pin 10X18X2
24	O ring 58x2
25	On-off switch assy
26	Seal ring
27	Damping ring
28	Motor
29	Bolt ST5.5X20
30	Fan cover down
31	Fan cover up
32	Fan cover filter
33	Main switch
34	Switch driving lever
35	O ring 8x2
36	Capacitor & inductor assy
37	Switch cover
38	Outlet wire cover
39	Bolt ST3.5 X13F
40	Gasket 6
41	Bolt M6x55

MVD1-1700-EX-RUS20211206